



# XPDU

15A, 20A Models

User & Installation Manual

**Table of Contents**

**Introduction.....3**

**Hardware Installation Guide.....4**

**Environment.....6**

**Connecting.....6**

**Specifications.....7**

**Shipping List..... 8**

**Obtaining Service.....9**

**Xtreme Power Conversion Limited Warranty.....10**

## Introduction

Thank you for selecting this power distribution unit. It provides you with the capability of connecting and protecting multiple pieces of equipment to your utility or UPS supported receptacle. Please read this manual before installing the XPDU-Series models XPDU-BASIC, XPDU-SURGE, XPDU-METERED, and XPDU-VALUE as it provides important information that should be followed during installation of the unit, allowing you to correctly set up your system for the maximum safety and performance. Included is information on customer support and service, if it is required. If you experience a problem with the XPDU, please refer to the Warranty section in this manual to correct the problem. If the problem is not corrected, please collect information so that the Technical Support personnel can more effectively assist you.

## Important Safety Instructions (Save These Instructions)

This user's guide contains instructions, caution notices, and warnings that should be followed during the installation, operation, and storage of this product. Failure to explicitly follow the instructions, caution notices, and warnings will void the product warranty.

- The XPDU is designed for indoor use only, in a controlled environment, away from excess moisture, temperature extremes, conductive contaminants, dust, or direct sunlight.
- Do not connect the XPDU to an ungrounded outlet or extension cord or adapter that eliminates the connection to ground.
- The power requirement for each piece of equipment connected to the XPDU must not exceed the individual outlets load rating.
- Do not drill into or attempt to open any part of the XPDU housing. There are not user serviceable parts inside.
- Do not attempt to modify the XPDU, including the input plugs and power cables.
- Do not attempt to mount the XPDU to an insecure or unstable surface.
- Never attempt to install electrical equipment during a thunderstorm.
- Install the XPDU away from objects which give off excessive heat, and areas that are excessively wet.
- This XPDU supports electronic office equipment, telecommunications, process control medical, security, and IT applications.
- To reduce the risk of fire, connect only to a branch circuit with over current protection in accordance with the National Electric Code ANSI/NFPA 70 (3KVA).
- To reduce the risk of electrical shock with the installation of this XPDU equipment and the connected equipment, the user must ensure that the combined sum of the AC leakage current does not exceed 3.5mA.
- Rack Mount Instructions: The following or similar rack-mount instructions are included with the installation instructions:
  - » Elevated Operating Ambient: If installed in a closed or multi-unit rack assembly, the operating ambient temperature of the rack environment may be greater than room ambient. Therefore, consideration should be given to installing the equipment in an environment compatible with the maximum ambient temperature (T<sub>ma</sub>) specified by the manufacturer.
  - » Reduced Air Flow: Installation of the equipment in a rack should be such that the amount of air flow required for safe operation of the equipment is not compromised.
  - » Mechanical Loading: Mounting of the equipment in the rack should be such that a hazardous condition is not achieved due to uneven mechanical loading.
  - » Circuit Overloading: Consideration should be given to the connection of the equipment to the supply circuit and the effect that overloading of the circuits might have on over-current protection and supply wiring. Appropriate consideration of equipment name plate ratings should be used when addressing this concern.

- » **Reliable Grounding:** Reliable grounding of rack-mounted equipment should be maintained. Particular attention should be given to supply connections other than direct connections to the utility circuit (e.g. use of power strips).

## Hardware Installation Guide

After removing your XPDU from its carton, it should be inspected for damage that may have occurred in shipment. Immediately notify the carrier and place of purchase if any damage is found. Warranty claims for damage caused by the carrier will not be honored. The packaging materials that your XPDU was shipped in are carefully designed to minimize any shipping damage.

The XPDU supports horizontal 1U rack mount and vertical 0U rack mount installation.

### Horizontal Installation (1U)

1. Attach the two (2) XPDU horizontal mounting brackets (included) on each end of the XPDU using four (4) retaining screws (included) see Figure 1.

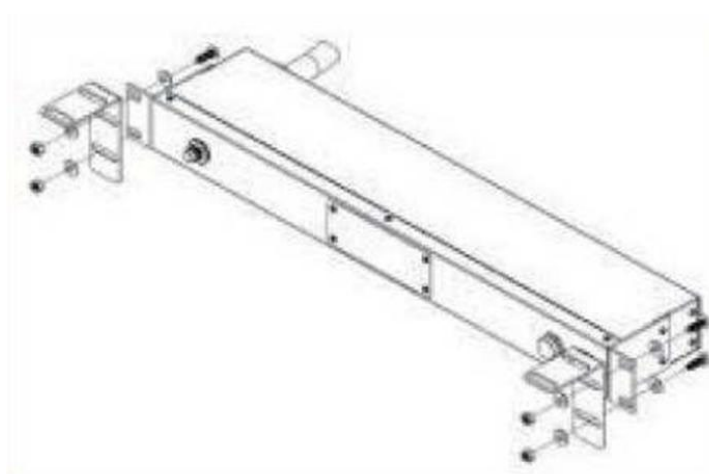


**FIGURE 1**

2. Install the XPDU in a suitable horizontal location in the rack rail using four (4) user-provided mounting screws.
3. Connect the grounding lug of the XPDU to a ground point on the rack rail.

### Vertical Installation (1U)

1. Attach the two (2) XPDU horizontal mounting brackets (included) on each end of the XPDU using four (4) retaining screws (included) see Figure 2.



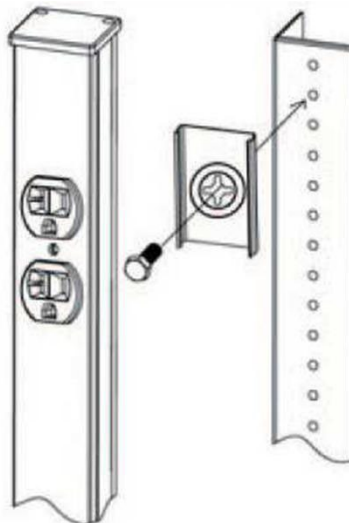
**FIGURE 2**

2. Attach the two vertical mounting brackets (included) to the horizontal rack mounting brackets on each end of the XPDU using four (4) retaining screws (included) see Figure 2.
3. Install the XPDU in a suitable vertical location on the side of the rack rail with four (4) user provided mounting screws.
4. Connect the grounding lug of the XPDU to a ground point on the rack rail.

### Vertical Installation (0U)

The XPDU can support vertical 0U rack mount installation

1. Attach the two (2) XPDU vertical mounting brackets (included) using four (4) retaining screws (included) see Figure 3.



**FIGURE 3**

2. Align the center hold of the 0U mounting brackets (backside) to the mounting hole on the rack.
3. Attach the 0U mounting bracket to the rack with the retaining screws (not provided).
4. Snap the XPDU into the 0U mounting bracket.

## Environment

Ensure that all environmental concerns and requirements are met according to specifications listed in this document, otherwise the safety of installation personnel cannot be guaranteed, and the unit may malfunction.

- Ensure that you remember the following when locating the XPDU:
- Avoid extremes of temperature and humidity.
  - Operating temperature: 0°C to +50°C (+32° to +122° F)
  - Operating elevation: 0 to 3000m (0-10,000 ft)
  - Relative humidity: 0-90%, non-condensing
  - Storage temperature: 0-65° C (+32 to +149° F)
  - Storage elevation: 0 to 15,000m (0 to +50,000 ft)
- Provide protection for the equipment from moisture.
- Space and ventilation requirements must be met.

## Connecting

### Connecting the Equipment

Plug the equipment into the output receptacles on the XPDU. Do not use adapters, plugs, or surge strips on the output of the XPDU. Ensure that the load does not exceed the maximum output rating of the XPDU (refer to the information label on the XPDU or the Electrical Specifications for additional information).

### Connecting to the Power source

Attach the input plug from the XPDU to a grounded outlet. Verify that the voltage and frequency ratings match that of the utility power, and then connect the AC input power cord into a three-pole, three-wire, easily accessible, dedicated grounded receptacle, or one that does not share a circuit with a heavy electrical load.

## Specifications

XPC Model #	Description	Output Receptacles Back		Part #	Input Power Cord	Net Unit Weight	Net Unit Dimensions WxDxH
		Back	Front				
<b>BASIC POWER - UL rated power distribution</b>							
XPD815HV	BASIC POWER: INPUT: 5-15P 12FT.	(8) 5-15R		90000040	5-15P	2.6 lbs	19" x 3.5" x 1.74"
XPD1020HV	BASIC POWER: INPUT: 5-20P 12FT.	(8) 5-20R	(2) 5-20R	90000044	5-20P	4.6 lbs	19" x 3.5" x 1.74"
XPD1415HV	BASIC POWER: INPUT: 5-15P 12FT.	(8) 5-15R	(6) 5-15R	90000041	5-15P	3.5 lbs	19" x 3.5" x 1.7"
XPD1420HV	BASIC POWER: INPUT: 5-20P 12FT.	(8) 5-20R	(6) 5-20R	90000045	5-20P	4.8 lbs	19" x 3.5" x 1.7"
XPD2415V60	BASIC POWER: INPUT: 5-15P 12FT. VERTICAL MTG ONLY	(24) 5-15R		90000043	5-15P	4.0 lbs	60" x 1.5" x 1.5"
XPD2420V60	BASIC POWER: INPUT: 5-20P 15FT. VERTICAL MTG ONLY	(24) 5-20R		90000046	5-20P	5.6 lbs	60" x 1.5" x 1.5"
<b>SURGE POWER - UL rated power distribution with 342-Joule Rated surge suppression</b>							
XPDS1015HV	SURGE POWER: INPUT: 5-15P 12FT.	(8) 5-15R	(2) 5-15R	90000048	5-15P	3.5 lbs	19" x 3.5" x 1.7"
XPDS1020HV	SURGE POWER: INPUT: 5-20P 12FT.	(8) 5-20R	(2) 5-20R	90000049	5-20P	4.6 lbs	19" x 3.5" x 1.7"
<b>METERED POWER - UL rated power distribution with meters &amp; audible alarms to guard against overloading circuits</b>							
XPD1415HVA	METERED POWER: INPUT: 5-15P 12FT.	(8) 5-15R	(6) 5-15R	90000042	5-15P	3.8 lbs	19" x 3.5" x 1.7"
XPD1420HVA	METERED POWER: INPUT: 5-20P 12FT.	(8) 5-20R	(6) 5-20R	90000050	5-20P	4.5 lbs	19" x 3.5" x 1.7"
XPD2420VA60	METERED POWER: INPUT: 5-20P 12FT.	(24) 5-20R		90000047	5-20P	5.6 lbs	60" x 1.5" x 1.5"
<b>VALUE POWER - UL rated power distribution with circuit breaker protection</b>							
XPD1215HVPL	VALUE POWER: INPUT: 5-15P 6FT.	(12) 5-15R		90000051	5-15P	1.4 lbs	19" x 1.53" x 1.7"
XPS1215HVP	VALUE POWER: INPUT: 5-15P 6FT. WITH 114-JOULE RATED SURGE PROTECTION	(12) 5-15R		90000052	5-15P	1.4 lbs	19" x 1.53" x 1.7"

## Shipping List

1. (1) XPDU
2. Standard 19" rack mounting hardware (if applicable)
3. Vertical mounting (0U) hardware (if applicable)
4. User's Manual



## Obtaining Service

If the UPS requires Service:

1. Use the TROUBLESHOOTING section in this manual to eliminate obvious causes.
2. Verify there are no circuit breakers tripped.
3. Call your dealer for assistance. If you cannot reach your dealer, or if they cannot resolve the problem, call Xtreme Power Conversion Corp Technical Support at 800.582.4524. Technical support inquiries can also be made at [support@xpcc.com](mailto:support@xpcc.com). Please have the following information available BEFORE calling the Technical Support Department:
  - Your name and address.
  - The serial number of the unit.
  - Where and when the unit was purchased.
  - All of the model information about your UPS.
  - Any information on the failure, including LED's that may or may not be illuminated.
  - A description of the protected equipment, including model numbers if possible.
  - A technician will ask you for the above information and, if possible, help solve your problem over the phone. In the event that the unit requires factory service, the technician will issue you a Return Material Authorization number (RMA).

If you are returning the UPS to Xtreme Power for service, please follow these procedures:

1. Pack the UPS in its original packaging. If the original packaging is no longer available, as the Technical Support Technician about obtaining a replacement set of packaging material. It is important to pack the UPS properly in order to avoid damage in transit. Never use Styrofoam beads for a packing material.
2. Include a letter with your name, address, daytime phone number, RMA number, a copy of your original sales receipt, and a brief description of the problem.
3. Mark the RMA number on the outside of all packages. Xtreme Power cannot accept any package without the RMA number marked on the outside of the boxes.
4. Return the UPS by insured, prepaid carrier to the address provided by the Technician.
5. Refer to the Warranty statements in this manual for additional details on what is covered.

## Xtreme Power Conversion Limited Warranty

Xtreme Power Conversion (XPC) Corporation warrants Xtreme Power Conversion equipment, when properly applied and operated within specified conditions, against faulty materials or workmanship for a period of **three years for XPDU-Series products** from the date of purchase. For equipment sites within the United States and Canada, this warranty covers repair or replacement, at the sole discretion of XPC Corporation. The customer is responsible for the costs of shipping the defective product to XPC Corporation. XPC Corporation will pay for ground shipment of the repaired or replacement product. This warranty applies only to the original purchaser.

If equipment provided by XPC Corporation is found to be **Dead-on-Arrival (DOA)**, XPC Corporation will be responsible for the costs of shipping product to and returning equipment from the customer in a timely manner as agreed to with the customer, once the customer has requested and received a **Return Material Authorization (RMA)** number. DOA equipment is defined as equipment that does not properly function according to user documentation when initially received and connected in conjunction with proper procedures as shown in the user documentation or via support provided by XPC Corporation personnel or authorized agents.

This warranty shall be void if (a) the equipment is repaired or modified by anyone other than XPC Corporation or a XPC Corporation approved third party; (b) the equipment is damaged by the customer, is improperly used or stored, is subjected to an adverse operating environment, or is operated outside the limits of its electrical specifications; or (c) the equipment has been used or stored in a manner contrary to the equipment's operating manual, intended use or other written instructions. Any technical advice furnished by XPC Corporation or a XPC Corporation authorized representative before or after delivery with regard to the use or application of Xtreme Power Conversion equipment is furnished on the basis that it represents XPC Corporations best judgment under the situation and circumstances, but it is used at the recipient's sole risk.

EXCEPT AS STATED ABOVE, XPC Corporation DISCLAIMS ALL WARRANTIES, EXPRESSED OR IMPLIED, INCLUDING WARRANTIES OF MERCHANTABILITY AND FITNESS FOR A PARTICULAR PURPOSE.

EXCEPT AS STATED ABOVE, IN NO EVENT WILL XPC Corporation BE LIABLE FOR DIRECT, INDIRECT, SPECIAL, INCIDENTAL, OR CONSEQUENTIAL DAMAGES ARISING OUT OF THE USE OF Xtreme Power Conversion EQUIPMENT, including but not limited to, any costs, lost profits or revenue, loss of equipment, loss of use of equipment, loss of software, loss of data, cost of substitutes, or claims by third parties. Purchaser's sole and exclusive remedy for breach of any warranty, expressed or implied, concerning Xtreme Power Conversion equipment, and the only obligation of XPC Corporation under this warranty, shall be the repair or replacement of defective equipment, components, or parts; or, at XPC Corporations sole discretion, refund of the purchase price or substitution of an equivalent replacement product.